



Addressable Horn Strobe

Model No.: AW-D106

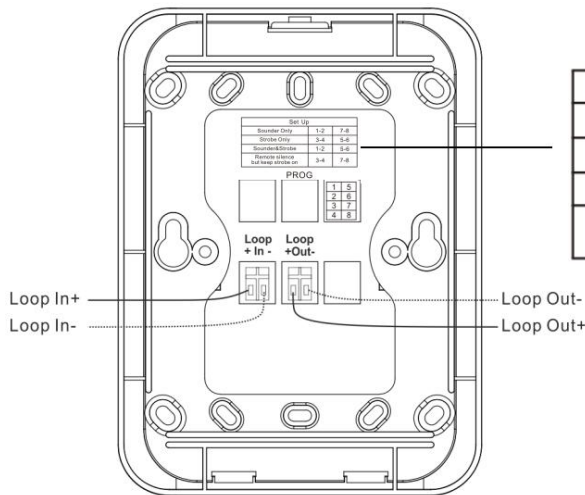
Working Voltage: 20-28VDC

Standby Current: $\leq 8\text{mA}$ @Loop 24VDC

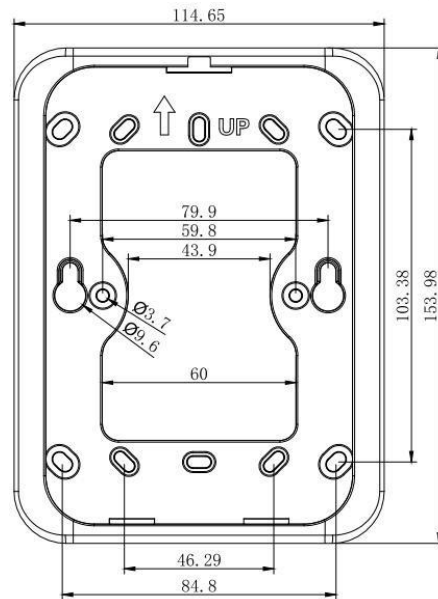
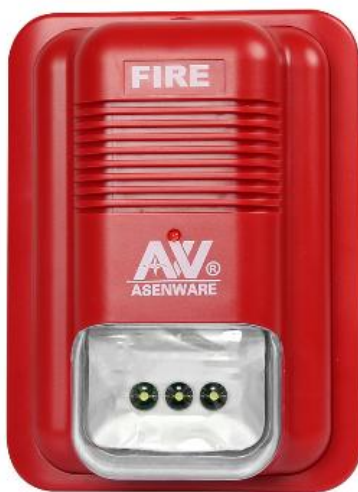
Alarm Current Max Input Current: 70mA @24VDC

Alarm SPL: ≥ 100 dB @1m

Work Temperature: $-10^{\circ}\text{C} \sim 50^{\circ}\text{C}$



Set Up		
Sounder Only	1-2	7-8
Strobe Only	3-4	5-6
Sounder&Strobe	1-2	5-6
Remote silence but keep strobe on	3-4	7-8



ASENWARE LTD

ADDRESS: 6 PROSPECT WAY, ROYAL OAK INDUSTRIAL ESTATE DAVENTRY, NORTHAMPTONSHIRE, ENGLAND, NN118PL

WEBSITE: www.asenware.com EMAIL: info@asenware.com